

IT/SCHEDA PRODOTTO

AVVERTENZA:

La presente scheda attempera alle disposizioni del D.L. 6 settembre 2005, n. 206 Codice del Consumo. Associazione nazionale delle industrie del mobile e dell'arredamento della FederlegnoArredo.

MATERIALI IMPIEGATI	ISTRUZIONI PER L'USO	Attenzione:
Top <ul style="list-style-type: none">Vetro temperato. Verniciatura ad acqua.Ceramica varie finitureIroko	<ul style="list-style-type: none">Pulire solo con acqua.Rimuovere immediatamente eventuali macchie.Evitare l'impiego di solventi ed abrasivi.Non graffiare le parti colorate.Non usare nessun componente per usi impropri.Non salire o sedersi sul piano.Evitare gli urti.Non far cadere corpi contundenti.Non appoggiare corpi caldi.Non inserire seggiolini per bambini.Controllare periodicamente il corretto serraggio dei fissaggi.Il prodotto ha una portata: vedi tabella.Se permangono dubbi contattare l'azienda.Per i top in Iroko è consigliata un oliatura periodica con prodotti specifici per mantenere inalterate le sue caratteristiche	per l'utilizzo in luoghi pubblici attenersi alle norme vigenti nei paesi di destinazione.
Struttura <ul style="list-style-type: none">Alluminio Verniciatura per finitura laccata: a polvere in poliestere termoundurente.Verniciatura per finitura brunita: a liquido acrilica.	<ul style="list-style-type: none">Non appoggiare corpi caldi.Non inserire seggiolini per bambini.Controllare periodicamente il corretto serraggio dei fissaggi.Il prodotto ha una portata: vedi tabella.Se permangono dubbi contattare l'azienda.Per i top in Iroko è consigliata un oliatura periodica con prodotti specifici per mantenere inalterate le sue caratteristiche	Ecologia: al termine dell'utilizzo affidare il prodotto all'azienda comunale di smaltimento.

Gambe

Alluminio estruso
Verniciatura per finitura laccata: a polvere in poliestere termoundurente.
Verniciatura per finitura brunita: a liquido acrilica.

COMUNICAZIONI

- Eventuali piccole imperfezioni e differenze dal campione sono da considerarsi caratteristica della lavorazione artigianale che rende ogni singolo pezzo unico nel suo genere. Altri difetti: secondo norma UNI-EN 572.
- Il trattamento termico a cui è sottoposto il vetro può far comparire piccole imperfezioni sullo stesso.
- Non conoscendo l'utilizzo finale dei prodotti indicati, Sovet S.r.l. declina ogni responsabilità per uso improprio degli stessi.
- Per eventuali montaggi attenersi alle istruzioni allegate.

SO.VE.T. Srl Unipersonale
Via Emilio Salgari, 1/A - 31056 Biancade (TV)
Tel. +39 0422 848 030 sovet@sovet.com -
www.sovet.com

EN/PRODUCT SHEET

WARNING:

This sheet is in conformity with the provisions of Law No.206 dated 6 September 2005 Consumer Code. FederlegnoArredo National Association of Furniture manufacturers and interior decorators.

MATERIAL USED	INSTRUCTIONS FOR USE	Attention:
Top <ul style="list-style-type: none">Tempered glass. Water-based paint.Ceramic various finishes.Iroko	<ul style="list-style-type: none">Clean with water only.Immediately remove all stains.Avoid using solvents or abrasive products.Avoid scratching the coloured parts.Do not use any part of the item for improper uses.Do not stand or seat on the top.Avoid knocking against the table.Do not make any sharp item or tools fall.Do not place hot items on the table.Do not fix any child's chair on the table.Periodically check the fixings.The item can support: please see the scheme.If any doubts, do not hesitate to contact the company.For Iroko tops, periodic oiling with specific products is recommended to maintain its characteristics.Our outdoor products are guaranteed for use in C3 environments according to the UNI EN ISO 9223:2012 standard therefore, our products are not suitable for marine and offshore environments.When used outdoors, wash the product at least once a week with plenty of fresh water.	When using in public places please follow the regulations in force in the destination country.
Structure <ul style="list-style-type: none">Aluminium Lacquer for painted finish: powder-based in thermosetting polyester.Lacquer for burnished finish: liquid, acrylic.	<ul style="list-style-type: none">Do not use any part of the item for improper uses.Do not stand or seat on the top.Avoid knocking against the table.Do not make any sharp item or tools fall.Do not fix any child's chair on the table.Periodically check the fixings.The item can support: please see the scheme.If any doubts, do not hesitate to contact the company.For Iroko tops, periodic oiling with specific products is recommended to maintain its characteristics.Our outdoor products are guaranteed for use in C3 environments according to the UNI EN ISO 9223:2012 standard therefore, our products are not suitable for marine and offshore environments.When used outdoors, wash the product at least once a week with plenty of fresh water.	Ecology: when not using any more, the product must be sent to the pertinent local government for disposal.

Legs

Extruded Aluminium
Lacquer for painted finish: powder-based in thermosetting polyester.
Lacquer for burnished finish: liquid, acrylic.

NOTES

- Any slight imperfection is to be considered as distinguishing feature of craftsman work which makes each piece unique. Other defects : accordingly law UNI-EN 572.
- The glass undergoes a thermal treatment that may cause some very slight imperfections.
- Sovet Srl declines any responsibility for its incorrect use as the final utilisation of the product is unknown.
- For the assembly please follow the instructions enclosed herewith.

SO.VE.T. Srl Unipersonale
Via Emilio Salgari, 1/A - 31056 Biancade (TV)
Tel. +39 0422 848 030 sovet@sovet.com -
www.sovet.com

Keep these instructions for the entire life of the product.

Prepared by SO.VE.T. Srl Unipersonale
19/03/2026 revision 4.

FR/FICHE DU PRODUIT

AVERTISSEMENT:

La présente fiche est conforme au Décret 6 septembre 2005, n. 206 Code de consommation. Association nationale des industries du meuble et de l'ameublement de la FederlegnoArredo.

MATERIAUX UTILISES	MODE D'EMPLOI	Attention:
Plateau <ul style="list-style-type: none">Verre trempé. Peinture à l'eau.Céramique différentes finitions.Iroko	<ul style="list-style-type: none">Nettoyer avec de l'eau uniquement.Enlever immédiatement toute tache.Eviter l'utilisation de solvants et d'abrasifs.Ne pas érafler les parties colorées.Ne pas utiliser aucune partie de l'article pour usages impropres.Ne pas s'asseoir ou monter sur la table.Eviter les chocs.Ne pas faire tomber des objets contondants.Ne pas poser des objets chauds.Ne pas fixer des chaises d'enfant sur la table.Périodiquement vérifier les fixages.Le produit peut supporter un poids: voir tableau.Si vous avez encore des doutes, n'hésitez pas à contacter l'usine.Pour les plans de travail en iroko, il est recommandé de les huiler régulièrement avec des produits spécifiques afin de préserver leurs caractéristiques.Nos produits d'extérieur sont garantis pour une exposition dans des environnements classés C3 selon la norme UNI EN ISO 9223:2012. Par conséquent, nos produits ne sont pas adaptés aux environnements marins ou offshore.When used outdoors, wash the product at least once a week with plenty of fresh water.	Pour l'utilisation dans des lieux publics vérifier les dispositions en vigueur dans le pays de destination.
Structure <ul style="list-style-type: none">Aluminium Vernis pour finition laquée: à poudre en polyester thermodurcissable.Verni pour finition bruni: acrylique liquide.	<ul style="list-style-type: none">Do not use any part of the item for improper uses.Do not stand or seat on the top.Avoid knocking against the table.Do not make any sharp item or tools fall.Do not fix any child's chair on the table.Periodically check the fixings.The item can support: please see the scheme.If any doubts, do not hesitate to contact the company.For Iroko tops, periodic oiling with specific products is recommended to maintain its characteristics.Our outdoor products are guaranteed for use in C3 environments according to the UNI EN ISO 9223:2012 standard therefore, our products are not suitable for marine and offshore environments.When used outdoors, wash the product at least once a week with plenty of fresh water.	Ecologie: à la fin de son utilisation, remettre le produit à une entreprise de tri sélectif.

Piètement

Aluminium extrudé
Vernis pour finition laquée: à poudre en polyester thermodurcissable.
Verni pour finition bruni: acrylique liquide.

COMMUNICATIONS

- Les éventuelles petites imperfections et différences par rapport à l'échantillon sont à considérer comme une caractéristique propre au travail artisanal qui rend chaque pièce unique en son genre. Autres défauts: conformément à la norme UNI-EN 572.
- Le traitement thermique auquel le verre est soumis, peut faire apparaître de petites imperfections.
- Sovet Srl décline toute responsabilité quant à l'utilisation inappropriée du produit car on ne connaît pas l'utilisation finale du produit.
- Pour le montage, respecter les instructions ci-jointes.

SO.VE.T. Srl Unipersonale
Via Emilio Salgari, 1/A - 31056 Biancade (TV)
Tel. +39 0422 848 030 sovet@sovet.com -
www.sovet.com

Conserver la présente fiche pour toute la vie du produit.

Préparé par SO.VE.T. Srl Unipersonale
19/03/2026 revision 4

SOVET

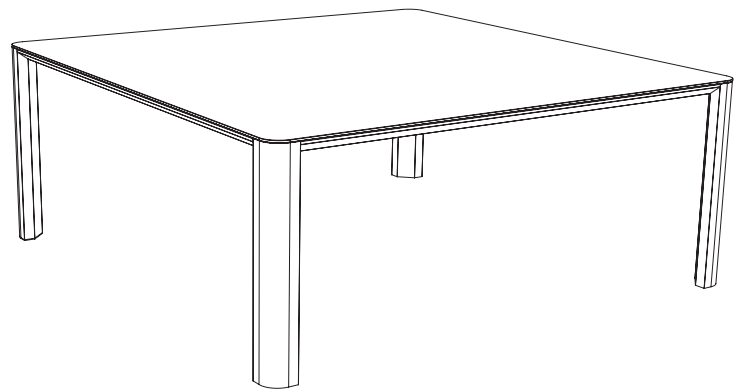
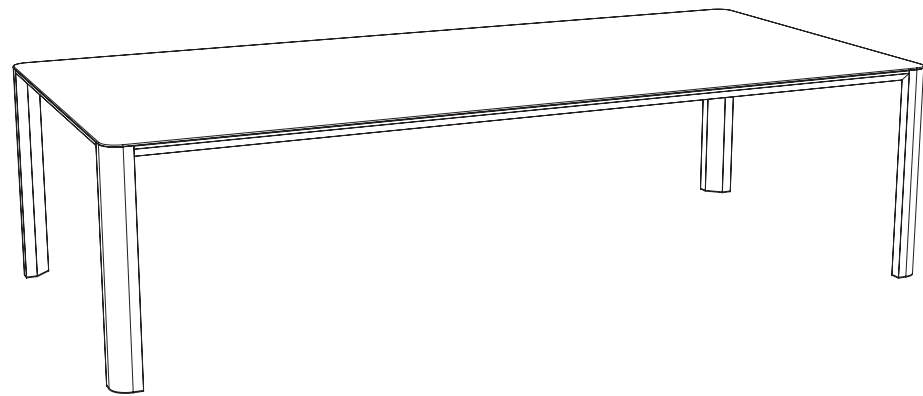
ITALIA

- Kodo

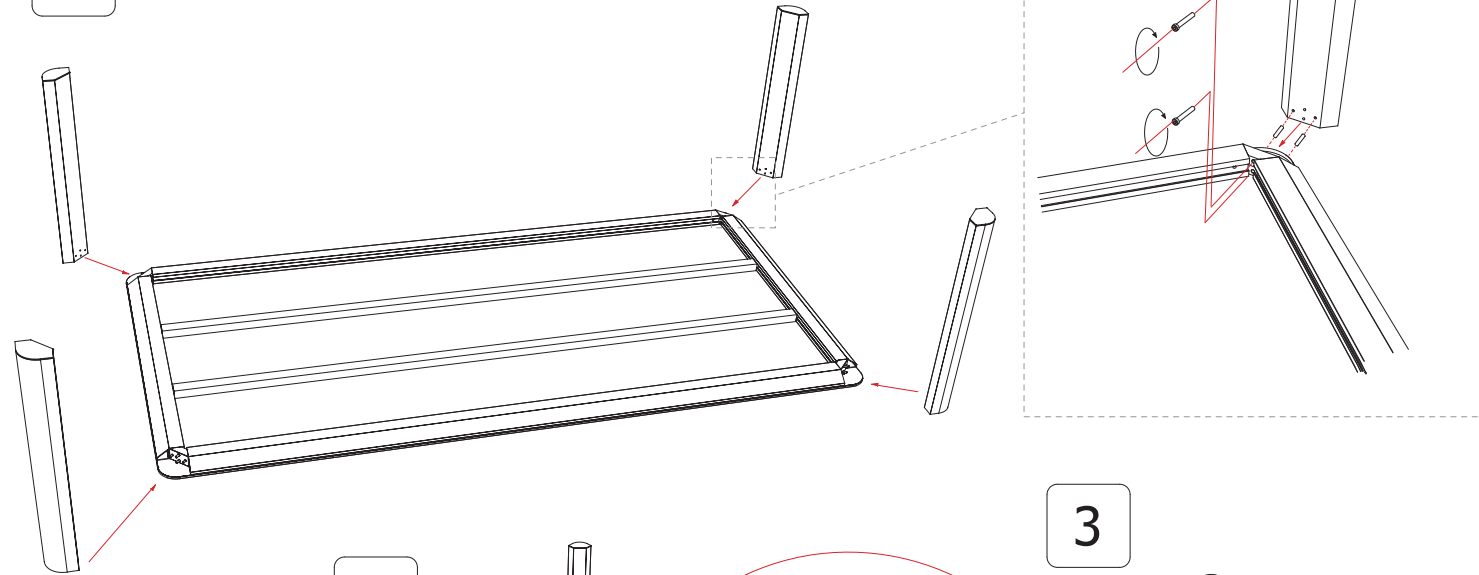
www.sovet.com

Istruzioni di montaggio e di utilizzo
Assembling and use instructions
Instructions d'installation et utilisation

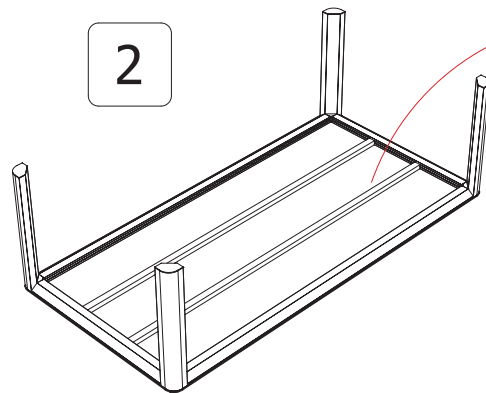
Kodo



1



2



3

